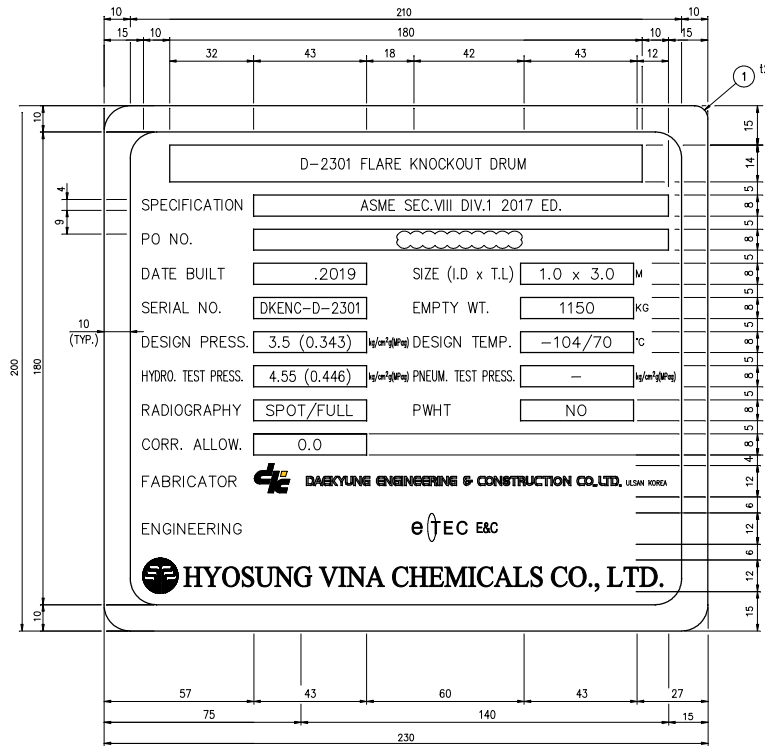


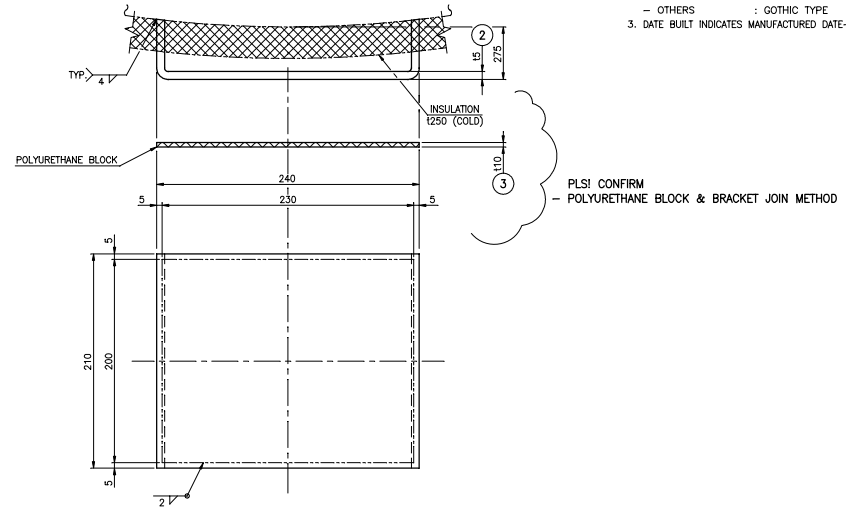
PART NO.	PART NAME	MATERIAL	QTY FOR SET		SIZE	REMARKS
			REQ	SPL		
1	NAME PLATE	304 S.S	1		EA 12	
2	BRACKET	SA240-304	1		EA 15	
3	POLYURETHANE BLOCK	POLYURETHANE	1		EA 110	

NOTES

- LETTERS, OUTLINE AND STAMPING SQUARES IN THE NAMEPLATE TO BE EMBOSSED AND THEIR FACES TO BE POLISHED BY BUFFING. THE OTHER PARTS TO BE ETCHED 0.2mm DEEP AND THEN PAINTED WITH BLACK ENAMEL 0.1mm IN THICKNESS.
- LETTERS TO BE AS FOLLOWS
 - HYOSUNG NAME : SEE NAME PLATE
 - OTHERS : GOTHIC TYPE
- DATE BUILT INDICATES MANUFACTURED DATE--STATES MONTH AND YEAR (i.e. OCT. 2000)



NAME PLATE



NAME PLATE BRACKET

PLS! CONFIRM
POLYURETHANE BLOCK & BRACKET JOIN METHOD

APPROVAL

Document Approval Status
 1. REVIEWING & COMMENTING OF THE RESULT BY CONTRACTOR(ONLY)
 2. REFLECT THE RESULT TO THE NEXT SUBMIT

Approval Status	Issue Purpose : IFA, IFR, FI, FNE, ASB ()
A	- APPROVED
AN	- APPROVED WITH COMMENTS (Re-submit)
N/A	- NOT APPROVED (Reject and re-submit fully)
INFO	- INFORMATION ONLY

SIGNED BY : _____ DATE : _____

CONTRACTOR permission to proceed or review taken on Vendor document shall not relieve Vendor from its responsibilities or liabilities under the Purchase Order (PO).

REV.	DATE	DESCRIPTION	DRW	CHKD	APPL	APPL
0	2018.11.21	ISSUED FOR APPROVAL				

HYOSUNG
 HYOSUNG VINA CHEMICALS CO., LTD.

E&C Limited
 We build your dream

DAEYUNG ENGINEERING & CONSTRUCTION CO., LTD.
 ULSAN KOREA

PROJECT NAME: HSVCI PP4 PROJECT
 TITLE: D-2301 FLARE KNOCKOUT DRUM (DETAIL OF NAME PLATE)
 NO. PP4-SE-208
 REV. 0-2301
 SHEET NO. VP-PP4-SE-208-D-2301-0006